

General Description

The MP1521 is a constant-current Boost Regulator. This IC has three individual current-sensing feedbacks, which are ideal for driving multiple strings of series connected LEDs. The OLS pin is designed for detecting loose or open LED connections.

The IC uses a peak current, constant minimum off-time architecture. The feedback pins measure voltage across sense resistors in series with the LED strings. When supplying a bias current of 20mA, the voltage drop across the sense resistor is only 0.4V to minimize power loss. Either a DC voltage or a PWM signal at the BRT/PWM input can control the LED brightness.

The MP1521 has an on board power MOSFET switch that is protected by current limit, open load shutdown, thermal shutdown, and under voltage lockout.

Ordering Information

Part Number *	Package	Temperature
MP1521EK	MSOP10	-20° to +85°C
MP1521EQ	QFN16 (3x3)	-20° to +85°C
EV0005	MP1521EK Evaluation Board	
EV0021	MP1521EQ Evaluation Board	

* For Tape & Reel use suffix - Z (i.e., MP1521EK-Z)

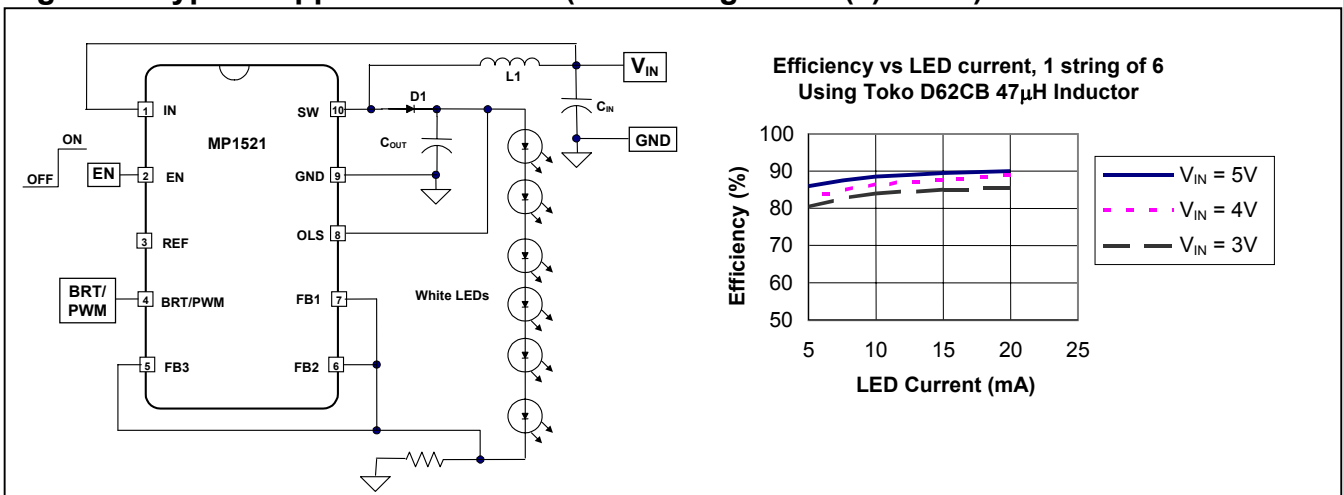
Features

- On board power MOSFET
- Drive 9 white LEDs from 2.7V input
- Drive 15 white LEDs from 5V input
- Up to 90% efficiency
- Over 80mA output current capacity
- Open Load shutdown
- Low current sensing feedback voltage
- Up to 3 string current sensing feedback
- Analog and Digital PWM brightness control
- UVLO, Thermal shutdown
- Soft Start
- Internal current limit
- Available in Compact MSOP10 and Tiny 3 mm x 3 mm QFN16 package
- **Evaluation Boards Available**

Applications

- Handheld Computers, Cell phones, PDAs, Digital and Video Cameras, Small LCD Displays
- Li Ion and NiMH Battery Applications

Figure 1: Typical Application Circuit (One String of Six (6) LEDs)



Absolute Maximum Ratings

Supply Voltage (V_{IN})	28V
Switch Voltage to GND	-0.5V to 28V
V_{EN} , V_{REF} , V_{BRT} , V_{FB1} , V_{FB2} , V_{FB3}	-0.3V to 6V
Storage Temperature	-55°C to +150°C

Recommended Operating Conditions

Supply Voltage (V_{IN})	2.7V to 25V
Operating Temperature	-20°C to +85°C
Switch Voltage to GND	-0.5V to 25V

Package Thermal Characteristics

Thermal Resistance, θ_{JA} (MSOP10)	150°C/W
Thermal Resistance, θ_{JA} (QFN16)	60°C/W

Electrical Characteristics ($V_{IN} = 5.0V$, $T_A = 25^\circ C$ unless specified otherwise)

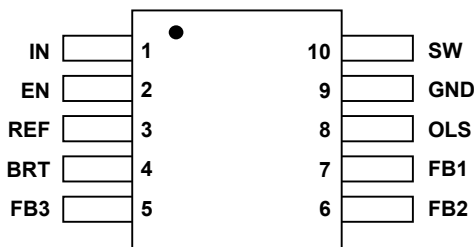
Parameters	Symbol	Condition	Min	Typ	Max	Units
Supply Current (shutdown)	$I_{IN(OFF)}$	$V_{EN} < 0.4V$		1	3	μA
Supply Current (quiescent)	$I_{IN(ON)}$	$V_{EN} > 1.5V$, $V_{BRT} = 0V$, $V_{FB} = 0V$		550	700	μA
Minimum Off Time, normal operation	$t_{OFF(NORMAL)}$	$V_{EN} > 1.5V$, $V_{BRT} = 0.6V$, $V_{FB} = 0$	400	500	700	nS
Minimum Off Time, start-up (Note 1)	$t_{OFF(START)}$	$V_{EN} > 1.5V$, $V_{BRT} = 0.6V$, $V_{FB} = 0V$	1.5		2.4	μS
UVLO						
Under Voltage Lockout		$V_{IN RISING}$	2.1		2.6	V
		$V_{IN FALLING}$	1.9		2.4	V
Enable						
Threshold			0.8	1.0	2.0	V
Hysteresis				60		mV
Leakage Current		$V_{EN} = 3V$			1	μA
Open Load Shutdown						
Threshold		Measured at OLS Pin	26		29	V
Leakage Current		$V_{OLS} = 15V$			1	μA
		$V_{OLS} = 25V$		45	70	μA
Reference						
Output Voltage		$I_{REF} = 0A$	1.20	1.235	1.27	V
Load Regulation		$I_{REF} = 0$ to $100\mu A$		2.5	5	mV
Line Regulation		$V_{IN} = 3$ to $15V$, $I_{REF} = 0A$		2.5	5	mV
Feedback Comparator						
Threshold		$V_{BRT} = 1.2V$	380	400	420	mV
Hysteresis (Note 2)		$V_{BRT} = 1.2V$		30		mV
FB Input Bias Current		$V_{FB} = 0.2V$	-150	-50	0	nA
PWM Mode						
Output-Off Threshold			0.18		0.26	V
BRT Input Bias		$V_{BRT} = 0.6V$	-100	-30	0	nA
BRT Full Scale Threshold (Note 3)					1.2	V
Output Switch						
Switch On Resistance (Note 2)	R_{ON}	$V_{IN} = 5.0V$		0.5	0.6	Ω
Switch Current Limit			300	400		mA
Leakage Current		$V_{SW} = 25V$			5	μA
Thermal Shutdown (Note 2)				160		$^\circ C$

Notes:

- 1) First 64 pulses after EN switches high.
- 2) Guaranteed by design.
- 3) The output current is off when BRT is driven below the output-off threshold and full-scale when driven above the full-scale threshold. To PWM the output drive BRT above and below these thresholds.

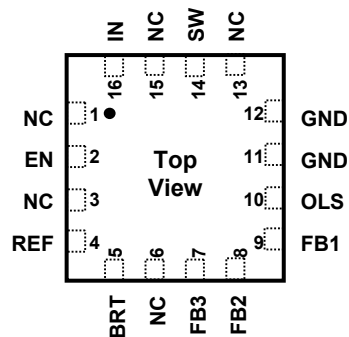
Pin Description

MSOP10



Part Marking: MP1521EK

QFN16

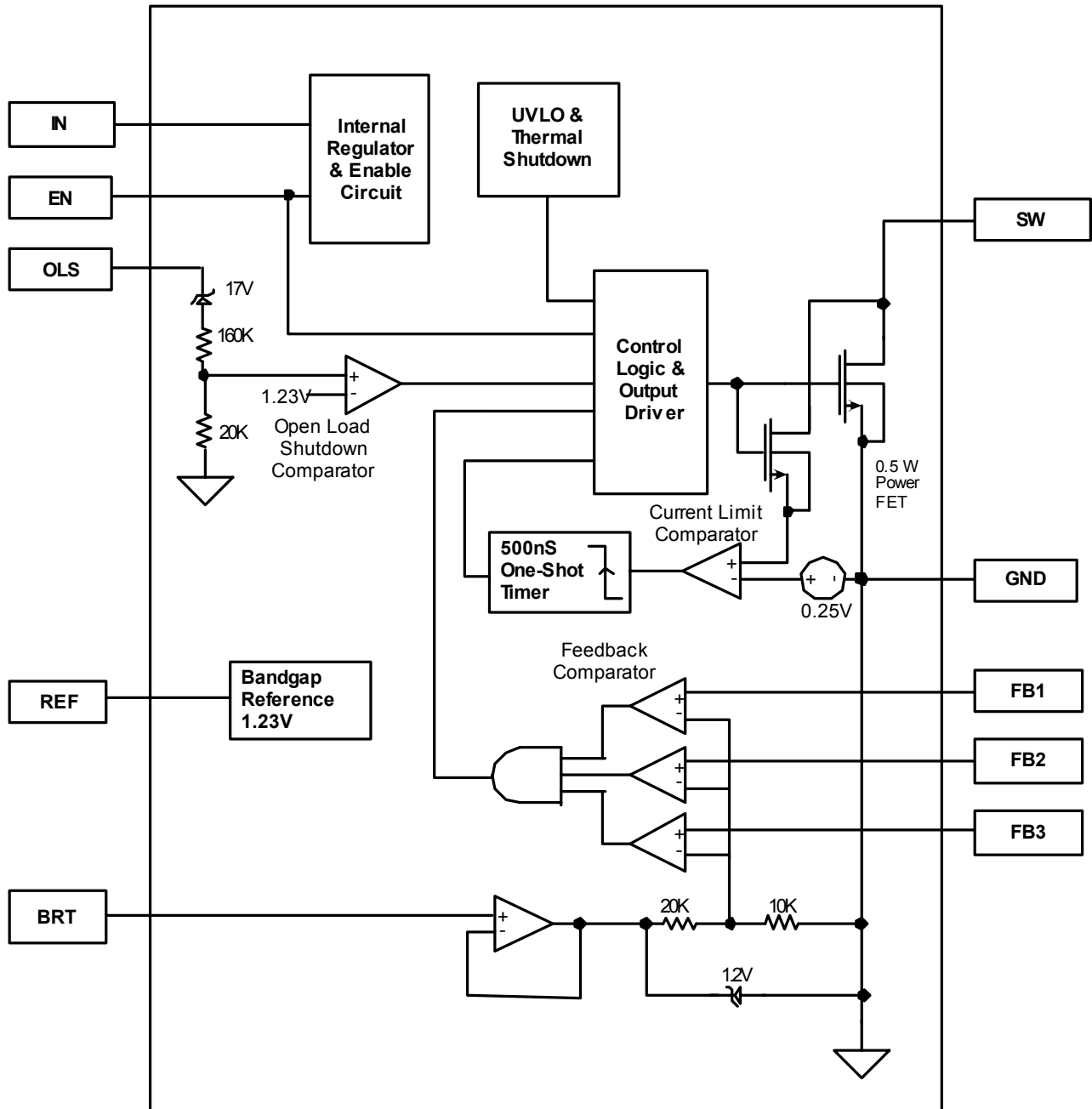


Part Marking: A1xx

Table 1: MP1521 MSOP10 and QFN16 Pin Assignments

MSOP Pin #	QFN Pin#	Pin Name	Pin Function
1	16	IN	Input supply pin. It can be connected to the regulator's input supply, or to the output for boot-strapped operation (boot-strapped operation is required for V_{IN} of less than 3V).
2	2	EN	Regulator On/Off control input. Logic high ($V_{EN} > 1V$) turns on IC, logic low puts it into low current shutdown mode. Place a 100K Ω resistor in series with EN if it is connected to a voltage greater than 10V.
3	4	REF	1.23V reference used for setting the analog control voltage at BRT input. This reference can supply up to 200 μ A to an external load. Do not connect any bypass capacitors to this pin. It is internally compensated.
4	5	BRT	Analog or PWM input for controlling LED brightness. When used in analog mode, apply a DC voltage of 0.3 to 1.2V. This input voltage is attenuated by 1/3 to set the voltage across sense resistors at FB1, FB2, and FB3. Maximum brightness (20mA) occurs with 1.2V applied. To control brightness in PWM mode, apply a PWM square wave with a minimum voltage less the 0.18V and a maximum greater than 1.2V. When a voltage less than 0.18V is applied to this pin, the output switch is turned off. The regulator operates at maximum brightness when more than 1.2V is applied. The frequency of the PWM signal must be between 100 to 400 Hz.
5	7	FB3	Feedback input for measuring voltage across current-sense resistor that is in series with LED string. Unused feedback pins must be connected to any used feedback pin.
6	8	FB2	
7	9	FB1	
8	10	OLS	Open Load Shutdown pin senses regulator output voltage to protect IC during open load operation. When this pin's voltage exceeds 28V, the output switch is shut off. The output switch remains off until the IC is reset by cycling the enable pin (EN) or input supply (IN) pin.
9	11, 12	GND	Signal and power ground. Connect directly to ground plane.
10	14	SW	Output switch pin, power DMOS low-side switch.
-	1, 3, 6, 13, 15	N/C	No Connect

Figure 2: MP1521 Functional Block Diagram



Functional Description

Operation

The MP1521 utilizes a constant off-time control scheme (Refer to the Block Diagram). For maximum brightness, the BRT pin is biased at or above 1.2V. Its voltage is routed through the unity gain buffer whose the output of is clamped at 1.2V. A 20K/10K divider from the Buffer to the non-inverting input of the Feedback comparator divides the BRT voltage by three to set the current sense threshold. If any of the feedback pins FB1, FB2, or FB3 is lower than this threshold the Power FET is turned on. The Power MOSFET and inductor current increases until the current limit comparator trips at 0.5A turning off the MOSFET for 500ns. At the end of 500ns if any of the Feedback pins are still lower than the current sense threshold. The Power FET is again turned on. This cycle repeats itself until all three of the feedback pins exceed the threshold.

Analog Brightness Adjust

Analog Brightness Adjust is accomplished by applying a voltage between 0.26V to 1.2V on the BRT pin. The 1.23V REF output can be used to bias a potentiometer whose wiper drives the BRT pin.

PWM/ Brightness Adjust

PWM Brightness Adjust is accomplished by driving the BRT pin with a square wave whose low voltage is below 0.2V and whose high voltage is greater than 1.2V. A voltage below 0.2V forces the Power MOSFET off. A voltage greater than 1.2V will cause all three feedback pins to regulate at or above 0.4V

Open Load Shut-Off

Open Load Shut-Off is implemented by connecting the OLS pin to V_{OUT} . In the fault condition where the connection to the LED's is open, V_{OUT} will rise up, as all the feedback pins are absent of voltage. Once V_{OUT} exceeds 28V, the part will cease operation until the EN pin is cycled off and on. To disable the open load shut-off feature, connect the OLS pin to GND.

Application Circuits

Figure 3: One String of Four (4) LEDs

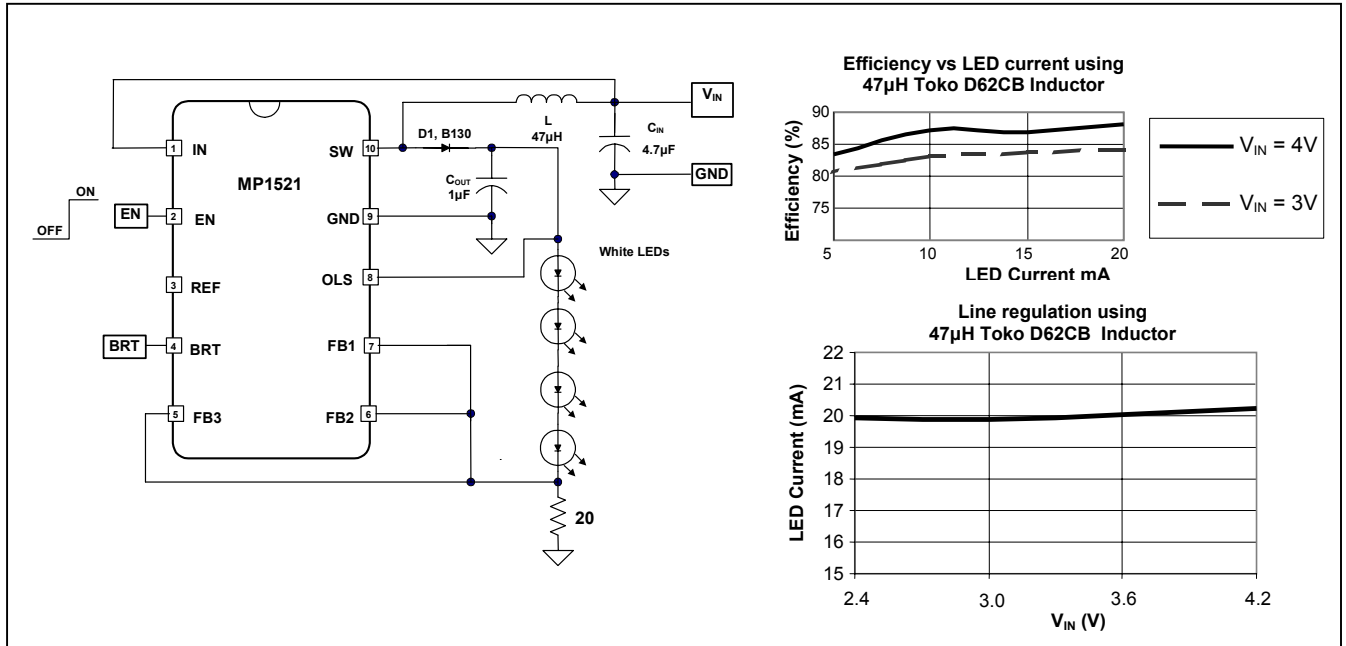
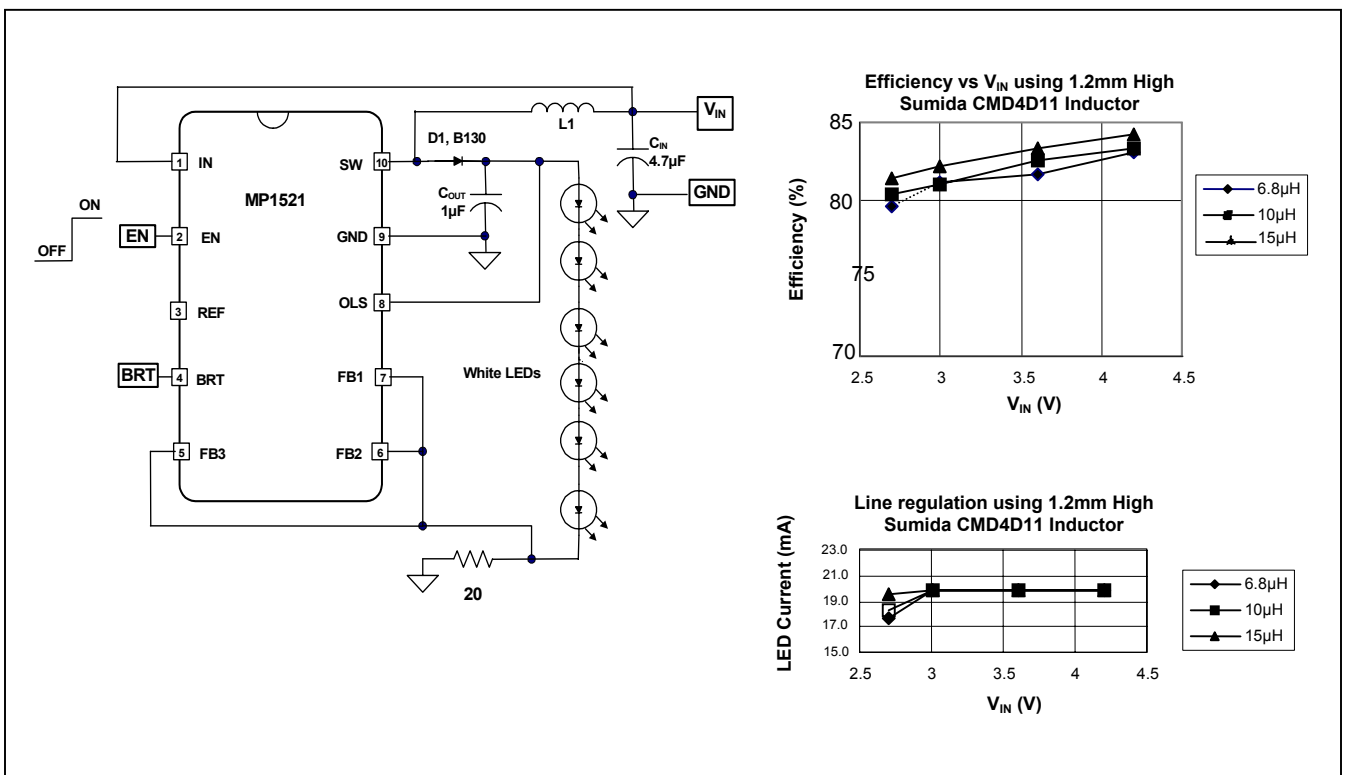


Figure 4: One String of Six (6) LEDs (Low inductor height for portables)



Application Circuits Continued

Figure 5: Two Strings of Four (4) LEDs or Eight (8) LEDs Total

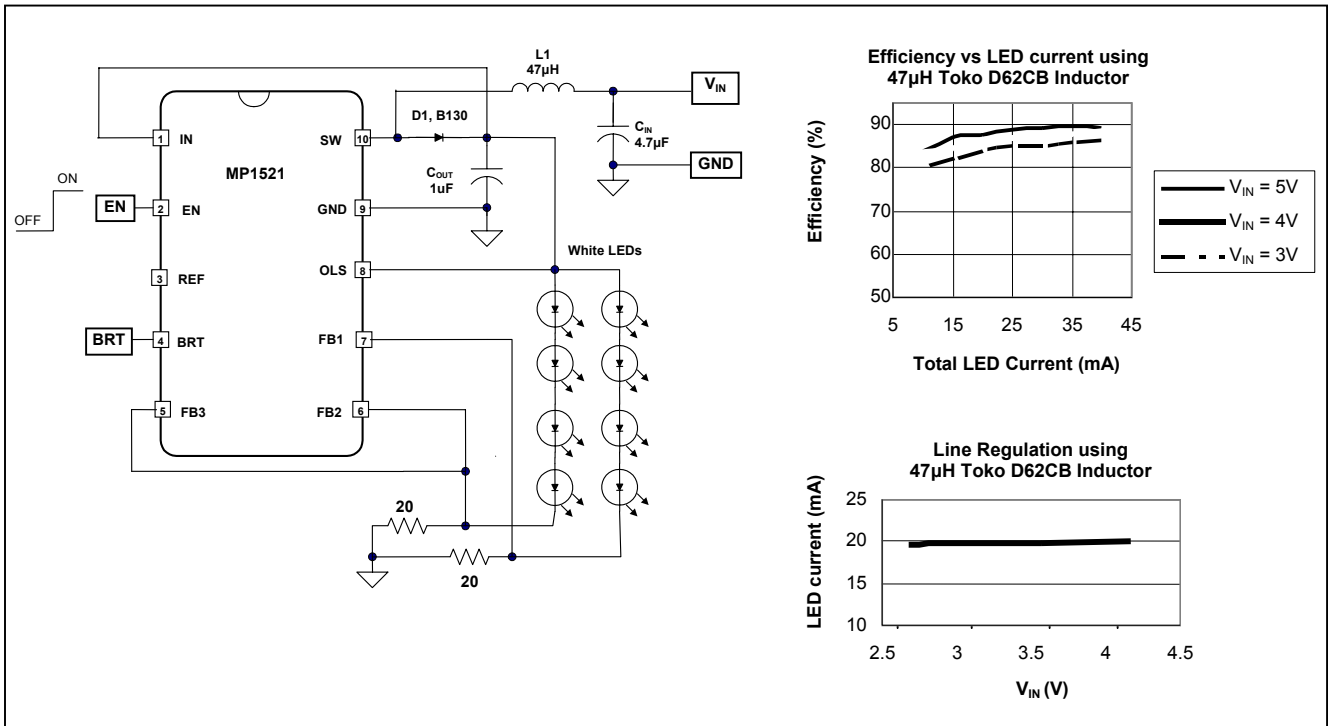
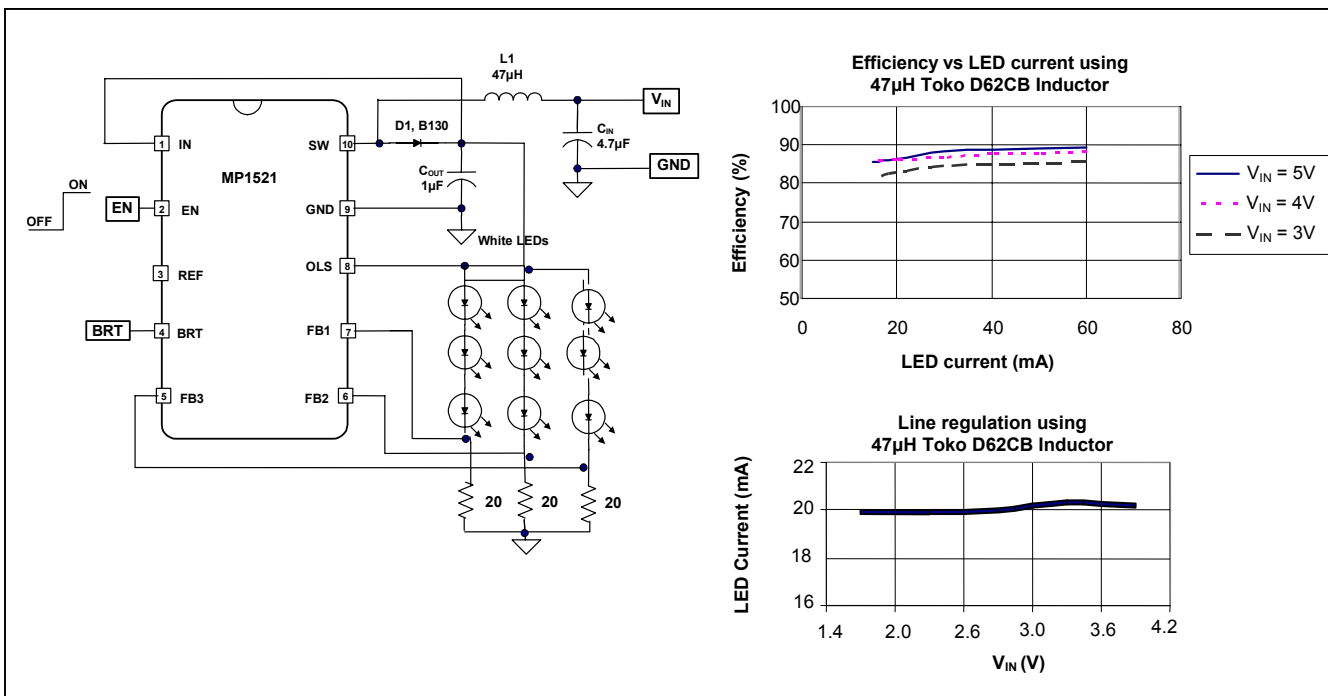
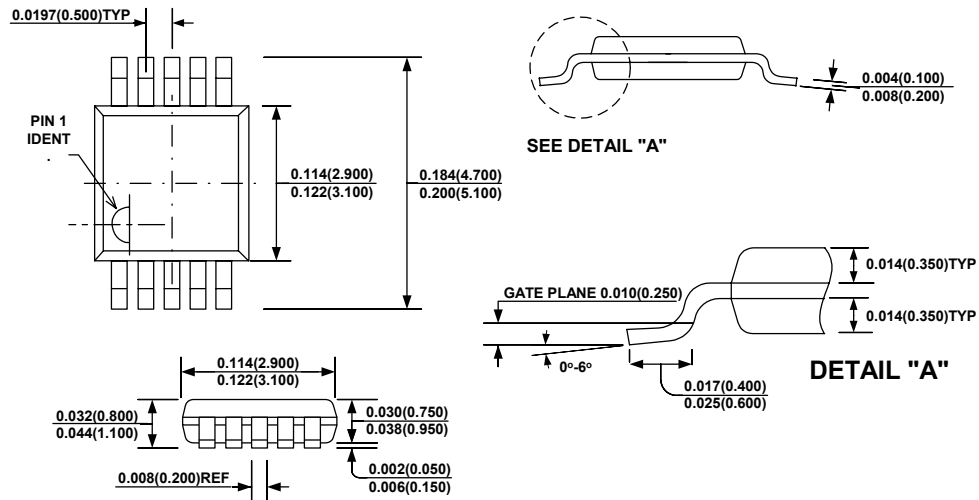


Figure 6: Three Strings of Three (3) LEDs or Nine (9) LEDs Total



Package Information

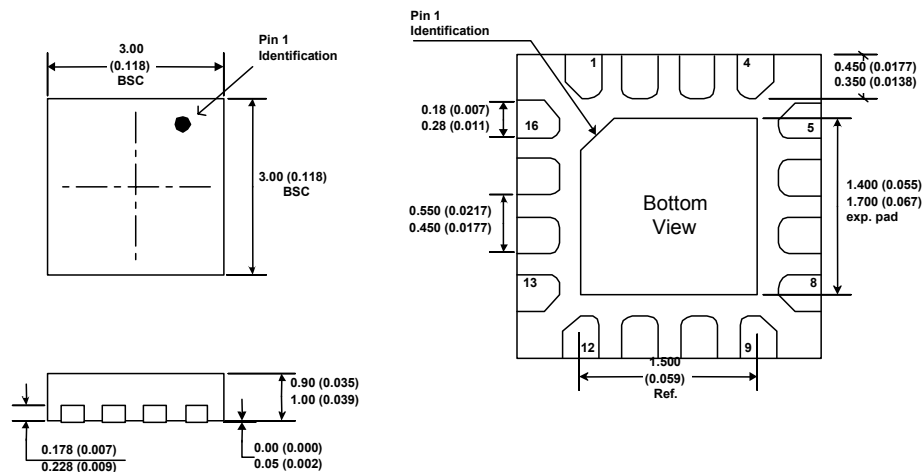
MSOP10



NOTE:

1) Control dimension is in inches. Dimension in bracket is millimeters.

QFN16 (3 x 3)



NOTE:

1) Control dimension is in millimeters. Dimension in bracket is inch.

NOTICE: MPS believes the information in this document to be accurate and reliable. However, it is subject to change without notice. Please contact the factory for current specifications. No responsibility is assumed by MPS for its use or fit to any application, nor for infringement of patent or other rights of third parties.